

RANGE COMPOSITION

ZANUSSI Professional easySteam blends tradition with the latest technological research in order to satisfy the creativity and working requirements of today's professional kitchen. The easySteam range offers a choice of different models, providing a high degree of automation and an extensive range of accessories. The easySteam combis are designed to form complete cook&chill systems together with easyChill blast chillers/freezers, therefore, any installation can be tailored to meet the needs of the caterer.

The easySteam combis detailed are 20 GN 2/1 electric models.



easySteam OVENS

COMBI LW 20 GN 2/1-ELECTRIC **ZANUSSI**
PROFESSIONAL

FUNCTIONAL AND CONSTRUCTION FEATURES

- ◆ Convection cycle (max. 300 °C): ideal for meat to be cooked without humidity and "au gratin". In conjunction with the half-power function for all kinds of pastry cooking.
- ◆ Steam cycle (max. 130 °C): for products that can be cooked in water. Steam cooking respects the original properties of food and reduces weight loss.
- ◆ Combi cycle (max. 250°C): ideal for most kinds of cooking. Impressive reduction of cooking times and food shrinkage. The humidity generated by the food and the steam generator is automatically controlled by the By-pass technology for saving water and energy.
- ◆ easySteam ovens can cook by controlling either the cooking time or the product's core temperature through a single-sensor probe.
- ◆ Regeneration cycle: it produces the best humidity conditions for quickly heating the products to be regenerated (max. 250°C) on the plate.

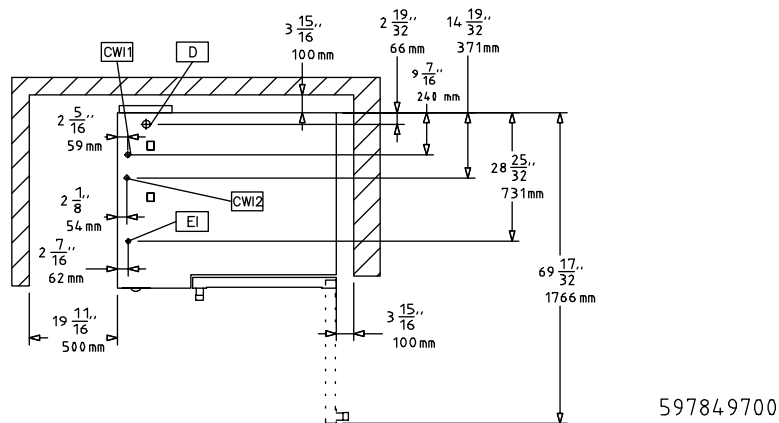
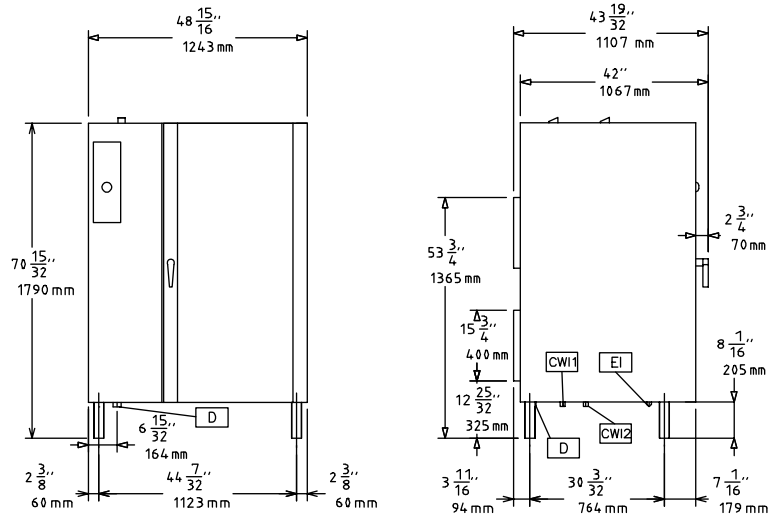
TECHNICAL DATA	
CHARACTERISTICS	MODELS
	FCZ202EBA 238005
Power supply	Electric
Number of grids	20
Runners pitch - mm	63
Cooking cycles - °C	
air-convection	300
steam	130
combi	250
Convection	●
Steaming	●
Convection/steaming	●
Regeneration	●
Low temp steaming	●
Two-speed fan	●
Meat probe	●
Semi-automatic cleaning cycle	●
N° of programs	100
External dimensions - mm	
WxDxH	1243, 1107, 1795
width	1243
depth	1107
height	1795
Internal dimensions - mm	
width	933
depth	830
height	1450
Power - kW	
boiler	48
auxiliary	2
electric	50
cooking chamber	48
Net weight - kg.	375
Supply voltage	400 V, 3N, 50/60
INCLUDED ACCESSORIES	
CONTROL PANEL FILTER-20 GN2/1 OVENS-LW	1
TROLLEY TRAY RACK F. 20X2/1GN,63MM PITCH	1

- ◆ Fan speeds: full, half speed (for delicate cooking such as for baking cakes) and HOLD (pulse ventilation for baking and low temperature cooking). The "HOLD utility" is also perfect for keeping food warm at the end of the cooking cycle.
- ◆ Low power cycle: for delicate cooking such as for baking cakes.
- ◆ Eco-delta: the temperature inside the cooking cell is higher than the temperature of the food and rises accordingly.
- ◆ Exhaust valve electronically controlled to evacuate the humidity excess.
- ◆ Semi-automatic cleaning cycle.
- ◆ Quick cooling: useful when passing to a type of cooking that requires a lower temperature than the previous one, works both automatically and manually.
- ◆ Manual injection of water in the cell.
- ◆ Automatic steam generator water draining with an automatic scale diagnosis system.
- ◆ HACCP management as standard: it allows the recording of the cooking programme according to H.A.C.C.P. standard (Hazard Analysis and Critical Control Points).
- ◆ By-pass technology: controls the humidity degree of the oven atmosphere in combi and regeneration cycles. It prevents water and energy waste.
- ◆ Perfect evenness: blows fresh air from outside through the bi-functional fan, which pulls the air in from the backside of the oven, after it is pre-heated and therefore guaranteeing the evenness of the cooking process.
- ◆ Single-sensor food probe.
- ◆ Stainless steel 304 throughout, with seamless joints in the cooking cell.
- ◆ Height adjustable legs.
- ◆ Double thermo-glazed door equipped with drip pans to catch condensate and prevent slippery floor for maximum security and four holding positions allowing easier loading and unloading manoeuvres.
- ◆ Halogen lighting in the cooking cell.
- ◆ Access to main components from the front panel.
- ◆ Automatic scale diagnosis system in the steam generator to detect the presence of scale build-up.
- ◆ IPX5 water protection.
- ◆ easySteam ovens meet IMQ safety requirements.

OPTIONAL ACCESSORIES	
ACCESSORIES	MODELS
	FCZ202EBA 238005
1 GRID GN1/1 FOR 8 WHOLE CHICKENS(1.2KG)	922266
2 FAT FILTERS FOR 20X1/1 & 2/1 OVEN	922179
2 FRYING BASKETS FOR OVENS	922239
2 GRIDS GN 1/1 FOR CHICKENS (8 PER GRID)	922036
AUTOMATIC WATER SOFTENER FOR OVENS	921305
BAKING TRAY(400X600X20)4 EDGES-ALUMINIUM	922191
BAKING TRAY(400X600X20)4 EDGES-PERF.ALUM	922190
BANQ.TROLLEY-92PLATES 85MM PITCH-20GN2/1	922055
CONTROL PANEL FILTER-20 GN2/1 OVENS-LW	922249
DOOR SHIELD 20 1/1-PRE-HEAT W/O TROLLEY	922094
DOOR SHIELD 20 2/1-PRE-HEAT W/O TROLLEY	922095
EXTERNAL SIDE SPRAY UNIT	922171
FRYING GRIDDLE GN 1/1 FOR OVENS	922215
FRYING GRIDDLE GN 2/3 FOR OVENS	922284
HEAT SHIELD FOR 20 GN 2/1 OVENS	922242
KIT HACCP EKIS	922166
KIT INTEGRATED HACCP FOR OVENS	922275
NON-STICK U-PAN GN 1/1 H=20 MM	922090
NON-STICK U-PAN GN 1/1 H=40 MM	922091
NON-STICK U-PAN GN 1/1 H=65 MM	922092
NON-STICK U-PAN GN 2/3 H=20 MM	922285
OVEN GRILL (ALUMINIUM) GN 1/1	922093
PAIR OF 1/1GN AISI 304 S/S GRIDS	922017
PAIR OF 2/1 GN AISI 304 S/S GRIDS	922175
PASTRY TROLLEY 16(400X600)80MM-20 2/1 LW	922069
RESIN SANITIZER FOR WATER SOFTENER	921306
THERMAL COVER FOR 20 GN 2/1-LW	922049
TRAY(400X600X38)5 ROWS-PERF.ALUM/SILICON	922189
TROLLEY TRAY RACK F. 20X2/1GN,63MM PITCH	922044
TROLLEY TRAY RACK F. 20X2/1GN,80MM PITCH	922046
WATER FILTER FOR 20 2/1 OVENS 1.8 L/MIN.	922104



www.zanussiprofessional.com



597849700

LEGEND

	FCZ202EBA 238005
CWI - Cold water inlet	3/4"
D - Water drain	2"
EI - Electrical connection	400 V, 3N, 50/60
WIC - Cooling water inlet	3/4"



www.zanussiprofessional.com